

DESPIECE SPAREPARTS

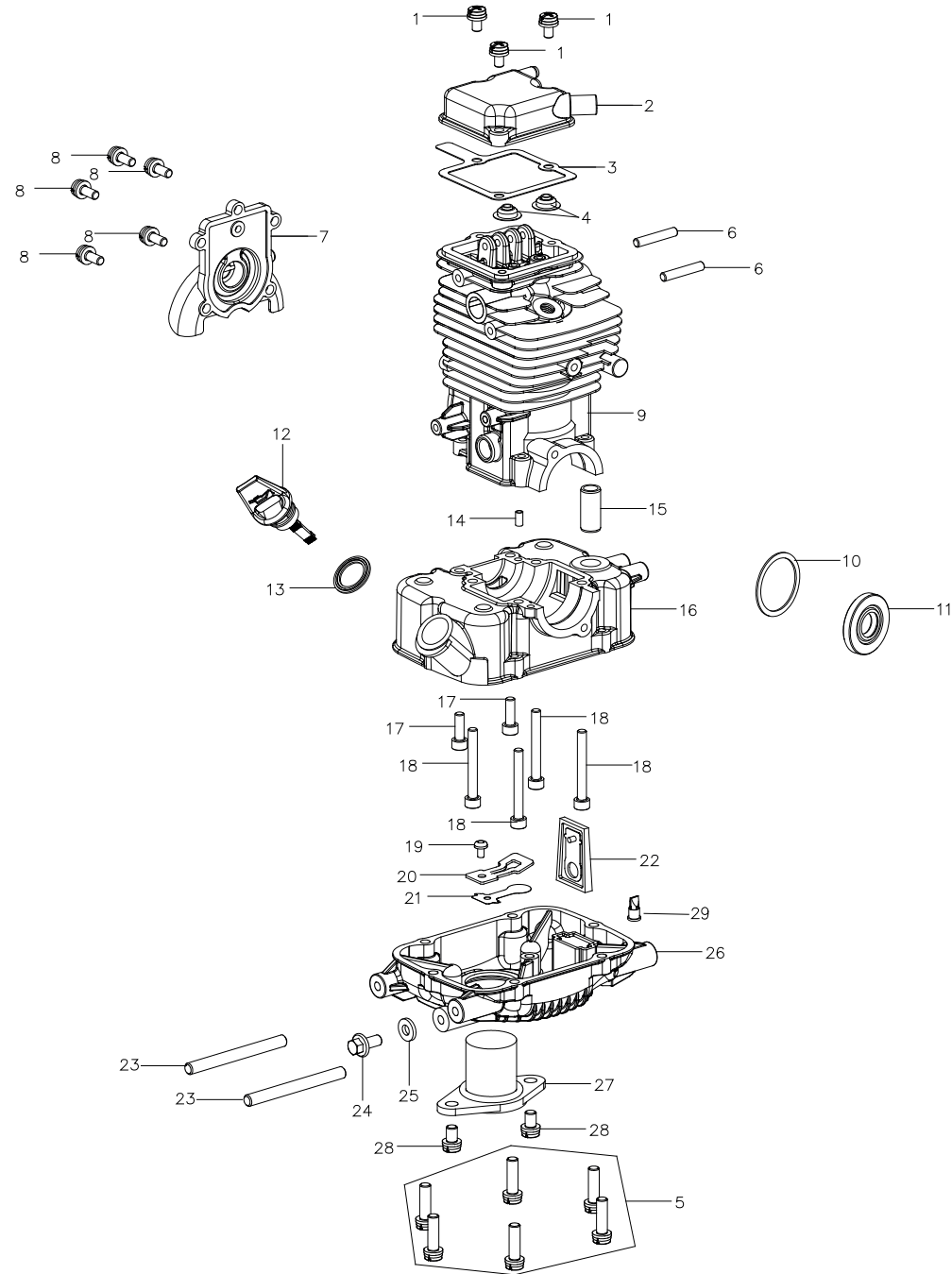
GENERADOR INVERTER:

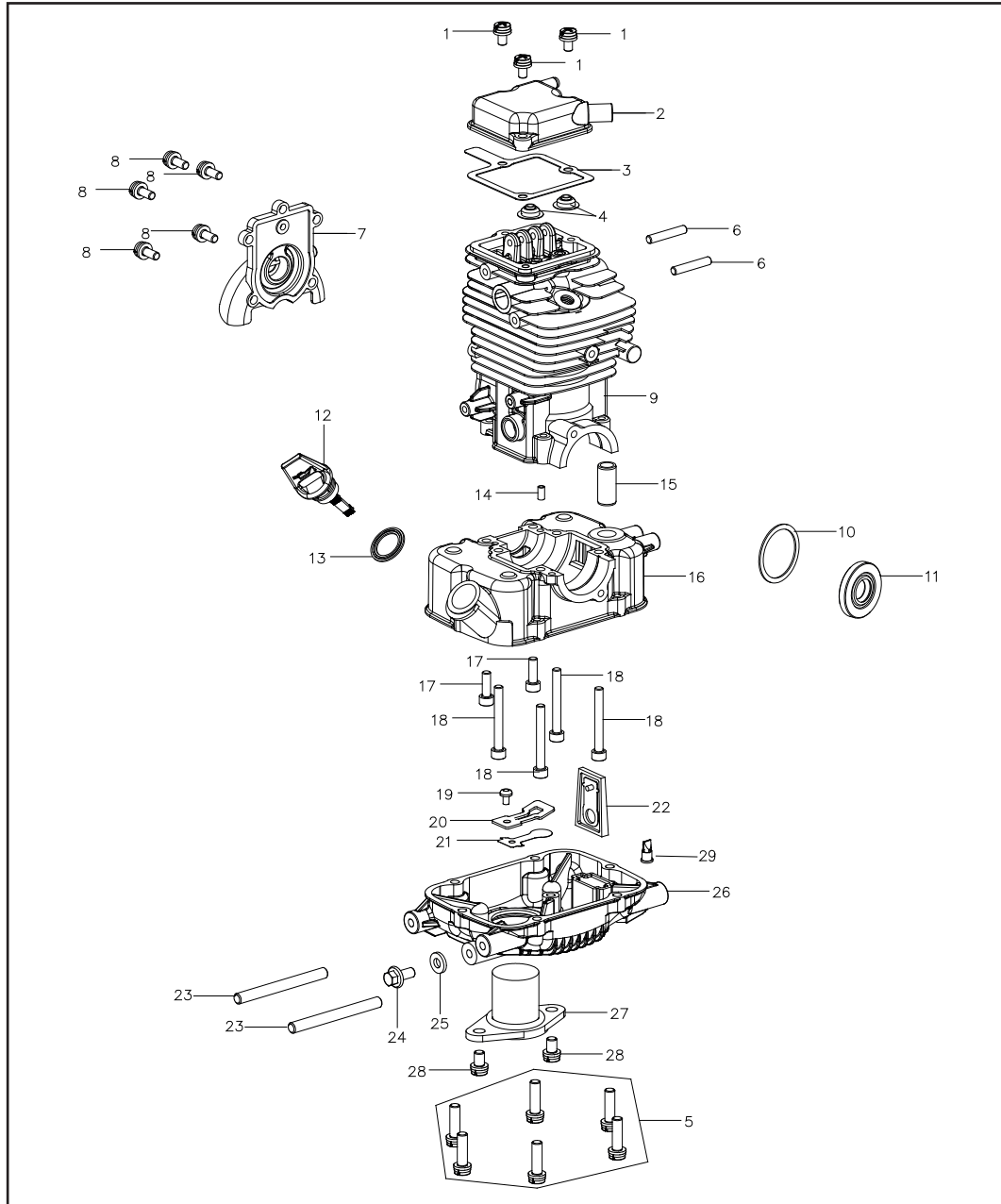
HY900i

MOTOR: IC40i

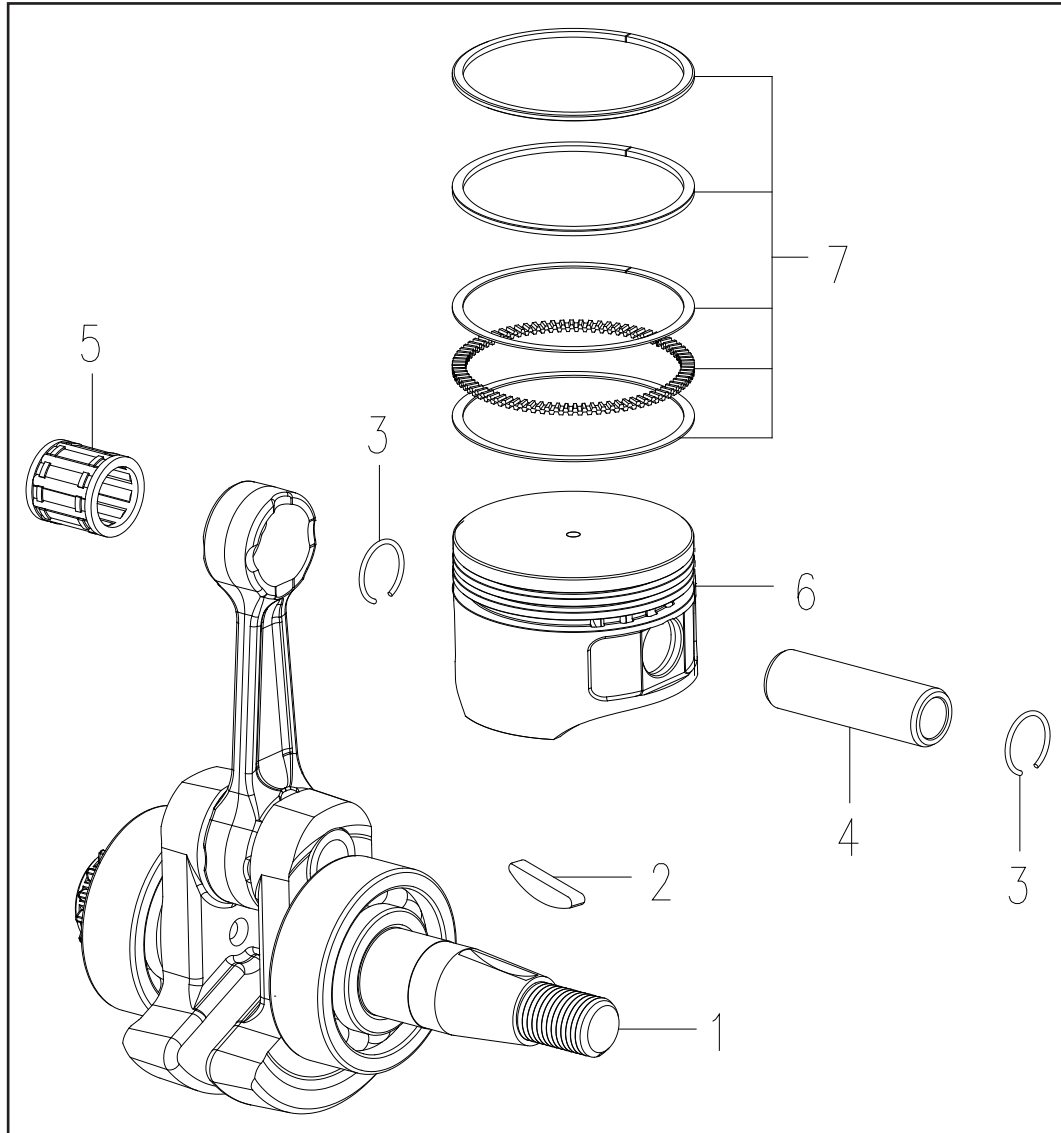
07/29/22

HYUNDAI
POWER PRODUCTS

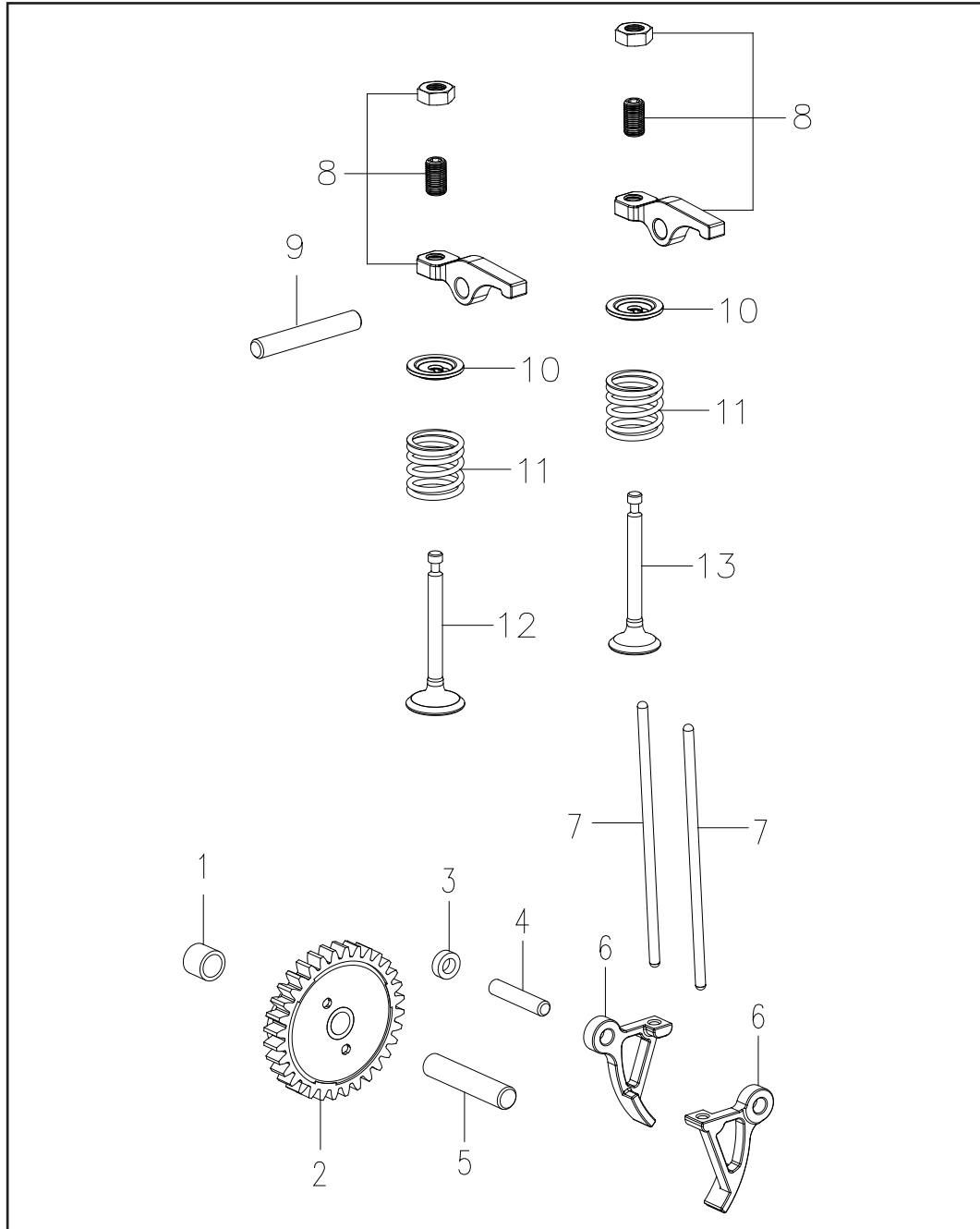




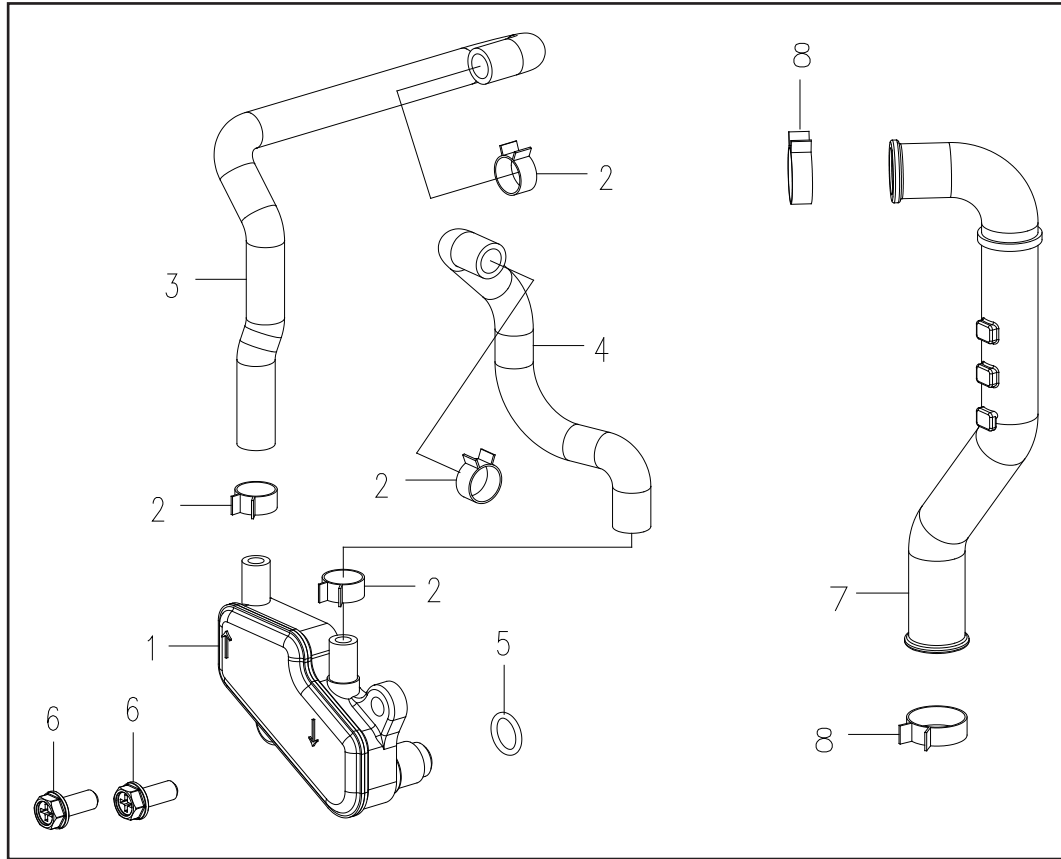
Nº	REF.	DESCRIPCIÓN (ES)	DESCRIPTION (EN)
1	SP-IC40i-A-01	TORNILLO M5X20	BOLT M5X20
2	SP-IC40i-A-02	CULATA	CYLINDER HEAD COVER
3	SP-IC40i-A-03	JUNTA CULATA	CYLINDER HEAD GASKET
4	SP-IC40i-A-04	RETEN	VALVE OIL SEAL
5	SP-IC40i-A-05	TORNILLO M5X25	BOLT M5X25
6	SP-IC40i-A-06	ESPARRAGO ROSCADO M5X28	STUD BOLT M5X28
7	SP-IC40i-A-07	TAPA CIGÜEÑAL	CRANKSHAFT COVER
8	SP-IC40i-A-08	TORNILLO M5X14	BOLT M5X14
9	SP-IC40i-A-09	BLOQUE CILINDRO	CYLINDER HEAD
10	SP-IC40i-A-10	ARANDELA Ø30XØ37X1	WASHER Ø30xØ37xØ1
11	SP-IC40i-A-11	RETEN Ø15XØ35X5	OIL SEAL Ø15xØ35x5
12	SP-IC40i-A-12	TAPON CARTER	OIL SUMP CAP
13	SP-IC40i-A-13	RETEN TAPON CARTER	OIL SUMP CAP SEAL
14	SP-IC40i-A-14	PASADOR GUIA	GUIDE PIN
15	SP-IC40i-A-15	CASQUILLO VENTILACION	VENTILATION HOLLOW PIN
16	SP-IC40i-A-16	ALOJAMIENTO CIGÜEÑAL	CRANKCASE HOUSING
17	SP-IC40i-A-17	TORNILLO M5X16	BOLT M5X16
18	SP-IC40i-A-18	TORNILLO M5X40	BOLT M5X40
19	SP-IC40i-A-27	TORNILLO M3X6	COUNTER HEAD SCREW M3X6
20	SP-IC40i-A-28	PLACA SEPARADORA	LIMITING BOARD
21	SP-IC40i-A-29	PLACA VALVULA	VALVE PLATE
22	SP-IC40i-A-20	SOPORTE VALVULA ANTIRETORNO	CHECK VALVE SUPPORT
23	SP-IC40i-A-21	VARILLA ROSCADA M6X36	STUD BOLT M6X36
24	SP-IC40i-A-22	TORNILLO M6X12	BOLT M6x12
25	SP-IC40i-A-23	ARANDELA Ø6XØ13X2	WASHER Ø6xØ13x2
26	SP-IC40i-A-24	CARTER	CRANKCASE OIL SUMP
27	SP-IC40i-A-25	SENSOR NIVEL ACEITE	OIL LEVEL SENSOR
28	SP-IC40i-A-26	TORNILLO M6X18	SCREW M6x18
29	SP-IC40i-A-19	VALVULA ANTIRETORNO GOMA	CHECK VALVE



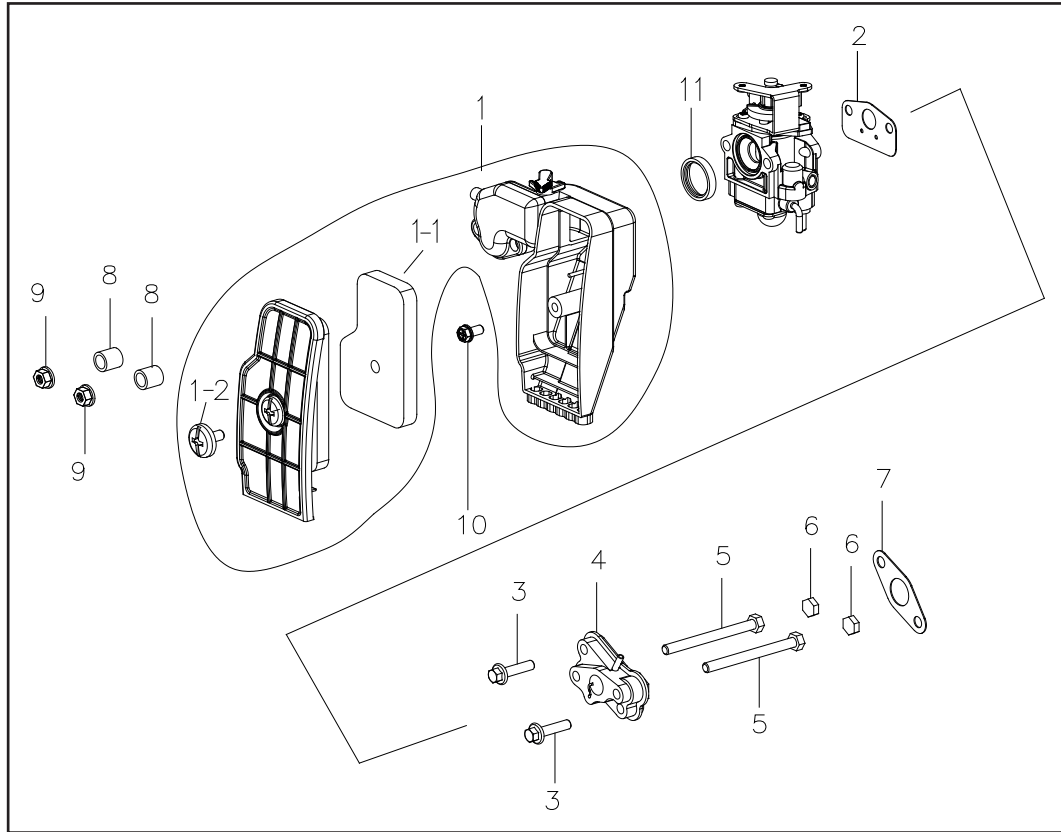
Nº	REF.	DESCRIPCIÓN (ES)	DESCRIPTION (EN)
1	SP-IC40i-B-01	CONJ CIGÜEÑAL-BIELA	CRANKSHAFT-CONNECTING ROD ASSY
2	SP-IC40i-B-02	CHAVETA	WOODRUFF KEY
3	SP-IC40i-B-03	CLIP BURLON PISTON	PISTON PIN CLIP
4	SP-IC40i-B-04	BURLON PISTON	PISTON PIN
5	SP-IC40i-B-05	COJINETE AGUJAS K101414	NEEDLE BEARING K101414
6	SP-IC40i-B-06	PISTON	PISTON
7	SP-IC40i-B-07	CONJ SEGMENTOS	PISTON RING



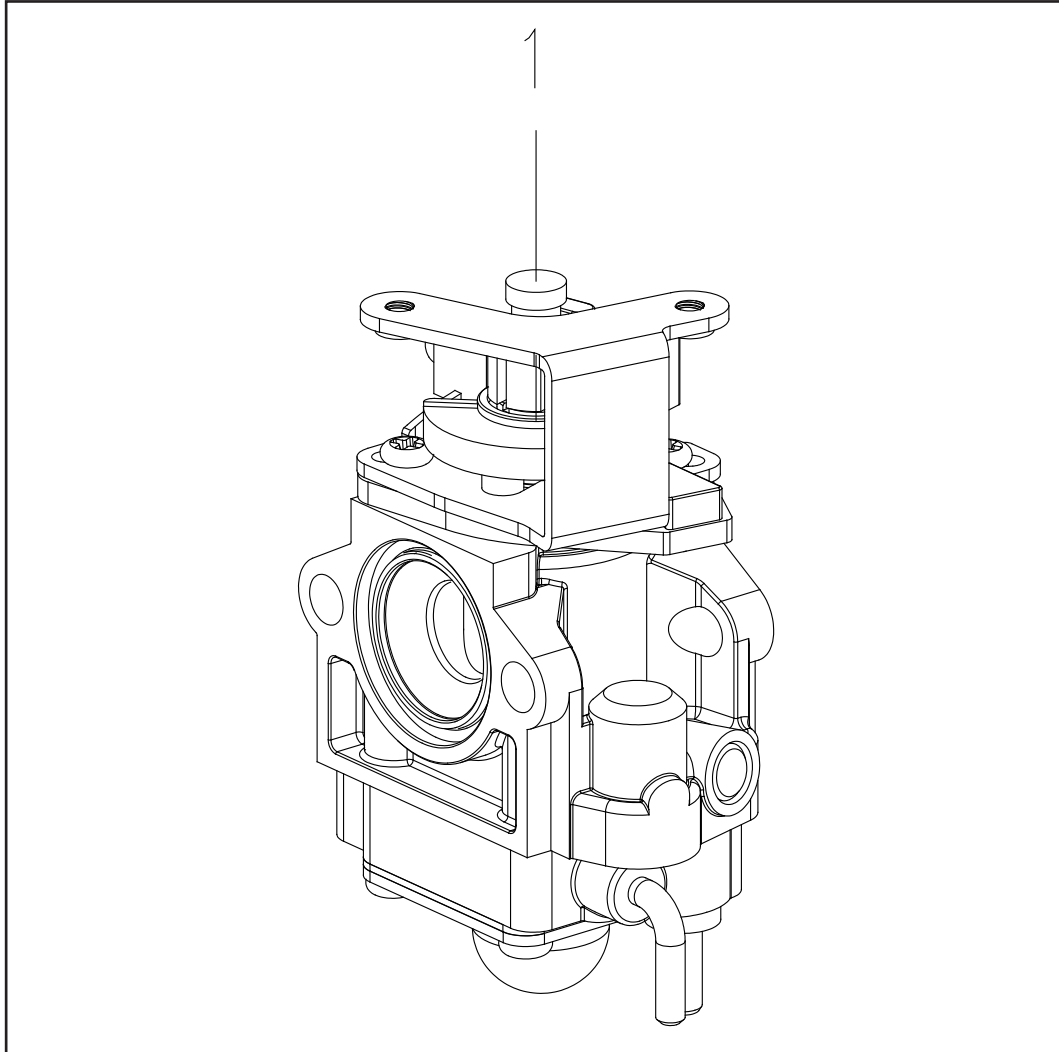
Nº	REF.	DESCRIPCIÓN (ES)	DESCRIPTION (EN)
1	SP-IC40i-C-01	CASQUILLO	DOWEL BUSH
2	SP-IC40i-C-02	ARBOL DE LEVAS	CAMSHAFT
3	SP-IC40i-C-03	CASQUILLO	BUSHING
4	SP-IC40i-C-04	PIN Ø4X20	PIN G4x20
5	SP-IC40i-C-05	PIN Ø6X30	PIN4 G6x30
6	SP-IC40i-C-06	BALANCIN INFERIOR	LOWER ROCKER ARM
7	SP-IC40i-C-07	VARILLA EMPUJE	PUSH ROD
8	SP-IC40i-C-08	BALANCIN SUPERIOR	UPPER ROCKER ARM
9	SP-IC40i-C-09	PIN Ø6X32	PIN 5 G6x32
10	SP-IC40i-C-10	ASIENTO MUELLE VALVULAS	VALVE SPRING SEAT
11	SP-IC40i-C-11	MUELLE VALVULAS	VALVE SPRING
12	SP-IC40i-C-12	VALVULA ADMISION	INTAKE VALVE
13	SP-IC40i-C-13	VALVULA ESCAPE	EXHAUST VALVE



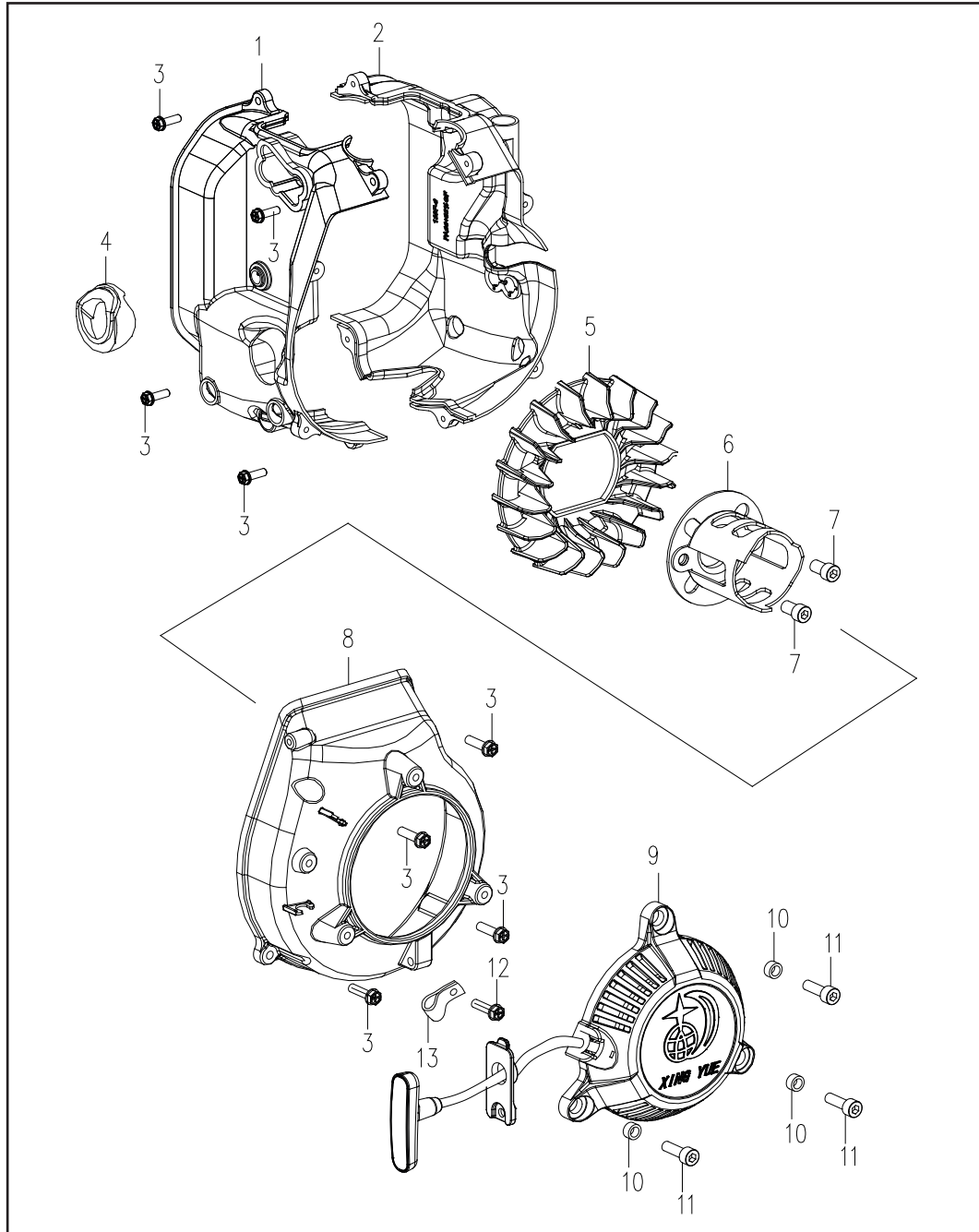
Nº	REF.	DESCRIPCIÓN (ES)	DESCRIPTION (EN)
1	SP-IC40i-D-01	DEVAPORIZADOR	DEVAPORIZER
2	SP-IC40i-D-02	ABRAZADERA Ø9	BRACKET Ø9
3	SP-IC40i-D-03	TUBO SALIDA	OUTLET PIPE
4	SP-IC40i-D-04	TUBO ENTRADA	INLET PIPE
5	SP-IC40i-D-05	JUNTA TORICA	O-RING
6	SP-IC40i-D-06	TORNILLO M5X16	BOLT M5X16
7	SP-IC40i-D-07	TUBERIA RETORNO ACEITE	OIL RETURN PIPE
8	SP-IC40i-D-08	ABRAZADERA Ø13	BRACKET Ø13



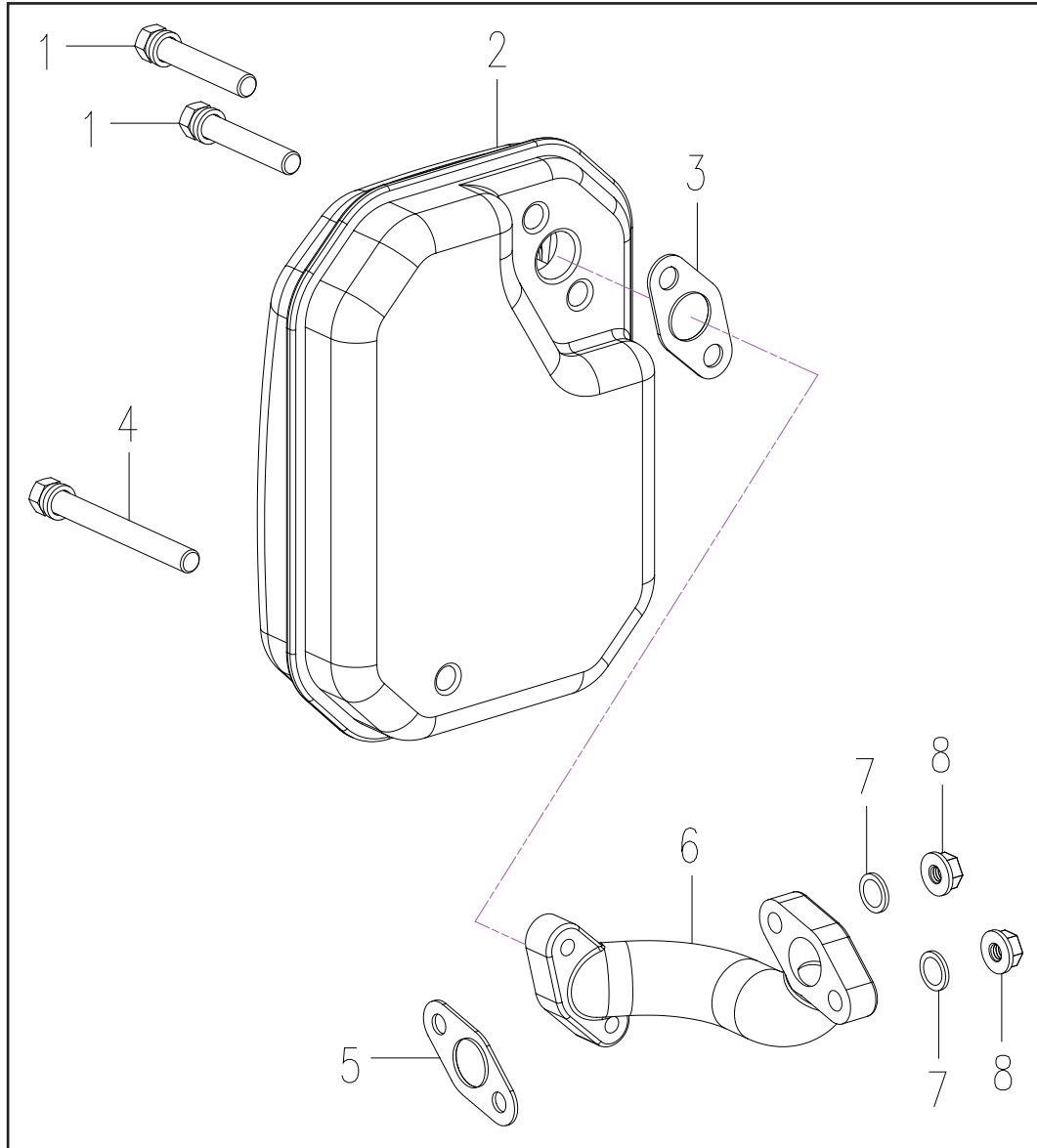
Nº	REF.	DESCRIPCIÓN (ES)	DESCRIPTION (EN)
1	SP-IC40i-E-01	CONJ FILTRO AIRE	AIR FILTER ASSY
1-1	SP-IC40i-E-01-1	FILTRO AIRE	AIR FILTER
1-2	SP-IC40i-E-01-2	TORNILLO FIJACION FILTRO	AIR FILTER FASTENER BOLT
2	SP-IC40i-E-03	JUNTA CARBURADOR	CARBURETOR GASKET
3	SP-IC40i-E-04	BOLT M5X22	HEXAGON FLANGE BOLTS M5×22
4	SP-IC40i-E-05	CONNECTOR CARBURADOR	CARBURETOR CONNECTOR
5	SP-IC40i-E-06	TORNILLO M5X55	BOLT M5×55
6	SP-IC40i-E-07	TACO GOMA	RUBBER PLUG
7	SP-IC40i-E-08	JUNTA CONNECTOR	CARBURETOR CONNECTOR GASKET
8	SP-IC40i-E-09	CASQUILLO VOLUTA	FAN VOLUTE BUSH
9	SP-IC40i-E-10	TORNILLO M5	HEXAGON FLANGE BOLTS M5
10	SP-IC40i-E-11	TORNILLO ST4.8X16 - FH	BOLT ST4.8×16-F.H
11	SP-IC40i-E-02	JUNTA FILTRO AIRE	AIR FILTER GAKET



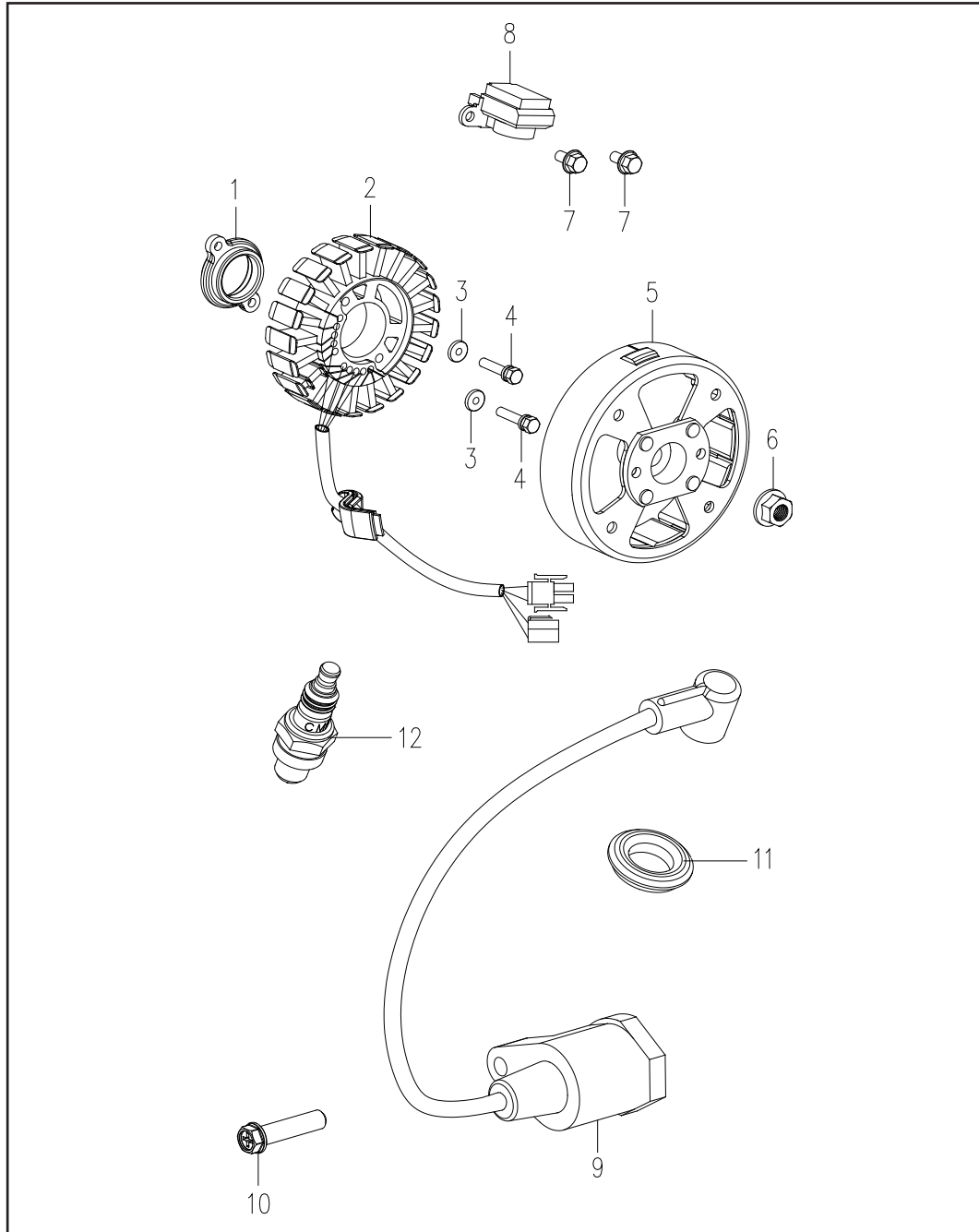
Nº	REF.	DESCRIPCIÓN (ES)	DESCRIPTION (EN)
1	SP-IC40i-F-01	CARBURADOR	CARBURETOR



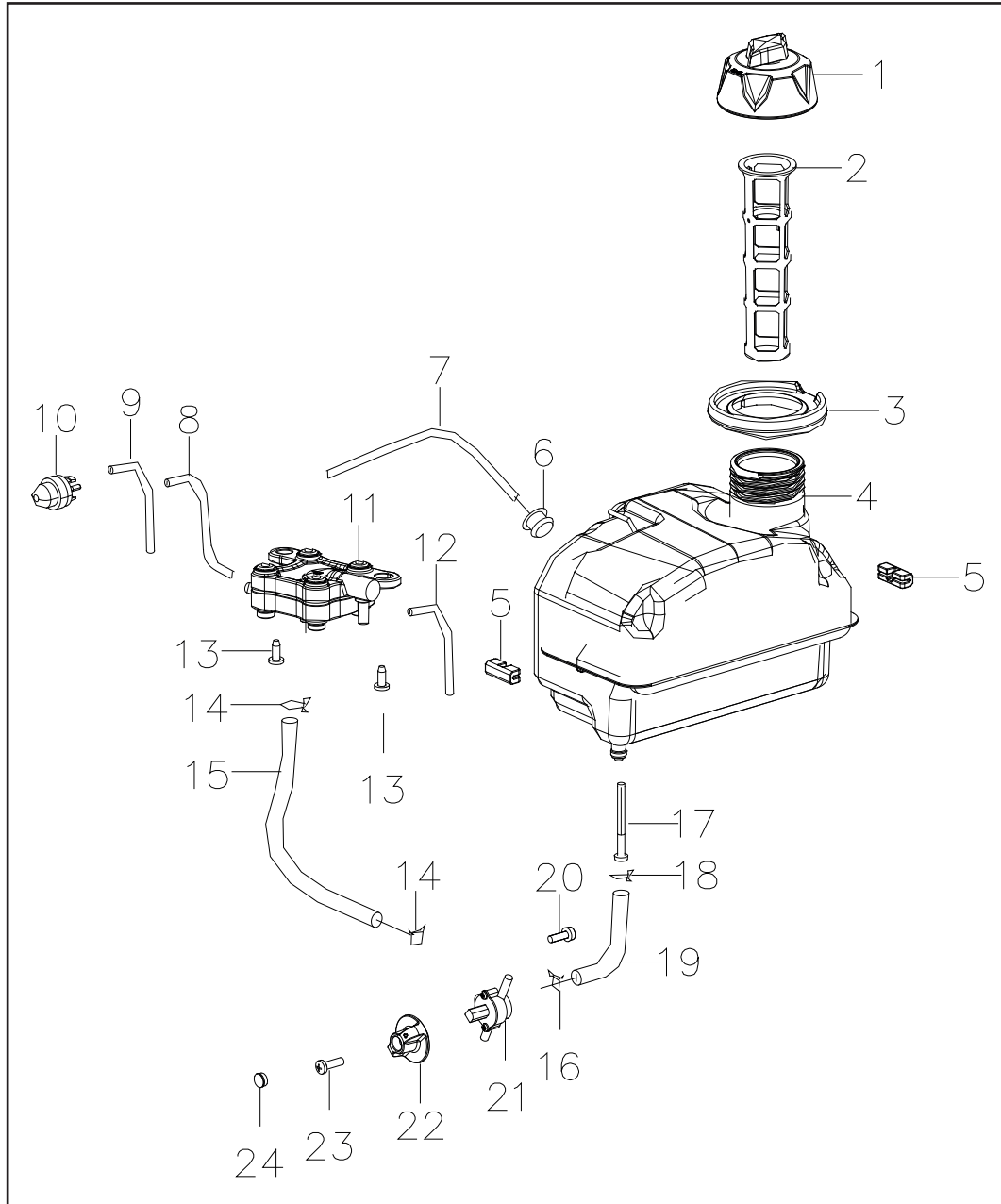
Nº	REF.	DESCRIPCIÓN (ES)	DESCRIPTION (EN)
1	SP-IC40i-G-01	CARCASA RODETE A	IMPELLER CASING A
2	SP-IC40i-G-02	CARCASA RODETE B	IMPELLER CASING B
3	SP-IC40i-G-03	TORNILLO ST4.8X16	BOLT ST4.8x16
4	SP-IC40i-G-04	GOMA VARILLA ACEITE	DIPSTICK RUBBER
5	SP-IC40i-G-05	TURBINA	IMPELLER
6	SP-IC40i-G-06	ACOPLE ARRANCADOR	STARTER HUB
7	SP-IC40i-G-07	TORNILLO ACOPLA M6X10	STARTER HUB BOLT M6x10
8	SP-IC40i-G-08	ALOJAMIENTO TURBINA	FAN VOLUTE
9	SP-IC40i-G-09	CONJ ARRANCADOR MANUAL	MANUAL STARTER ASSY
9-1	SP-IC40i-G-09-1	MANGO ARRANCADOR	STARTER HANDLE
9-2	SP-IC40i-G-09-2	GUARDABARROS	FENDER
10	SP-IC40i-G-10	ARANDELA GUARDABARROS	FENDER WASHER
11	SP-IC40i-G-11	TORNILLO M5X16	BOLTS M5x16
12	SP-IC40i-G-12	TORNILLO ST4.2X10 - F	BOLT ST4.2x10-F
13	SP-IC40i-G-13	PASACABLES	GROMMET



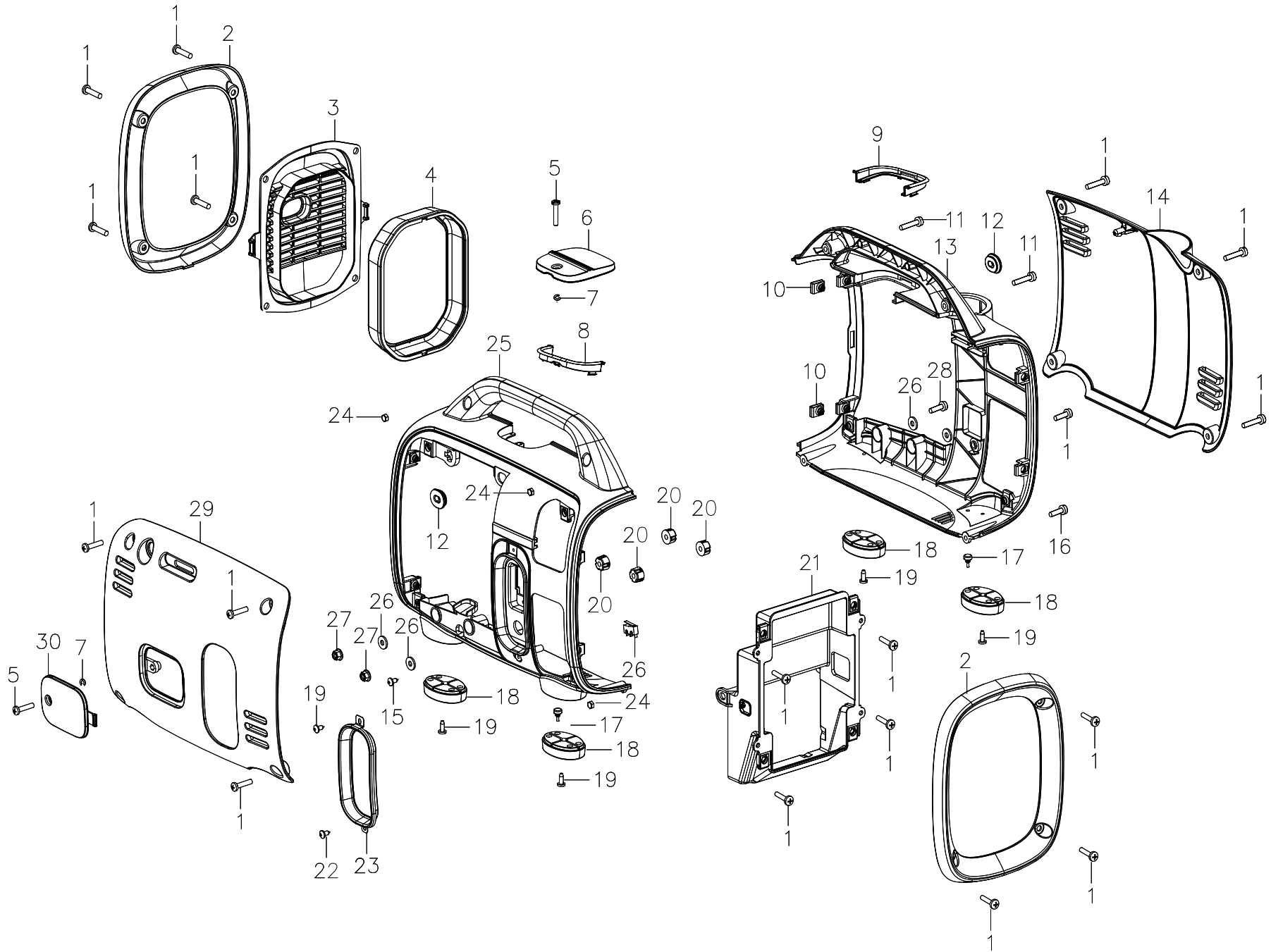
Nº	REF.	DESCRIPCIÓN (ES)	DESCRIPTION (EN)
1	SP-IC40i-H-01	TORNILLO M6X35	BOLT M6x35
2	SP-IC40i-H-02	CONJ SILENCIADOR	MUFFLER ASSY
3	SP-IC40i-H-03	JUNTA TUBERIA	MUFFLER PIPE GASKET
4	SP-IC40i-H-04	TORNILLO M6X35	BOLT M6x35
5	SP-IC40i-H-05	JUNTA SILENCIADOR	MUFFLER GASKET
6	SP-IC40i-H-06	TUBERIA	MUFFLER PIPE
7	SP-IC40i-H-07	ARANDELA Ø5	WASHER Ø5
8	SP-IC40i-H-08	TUERCA M5	NUT M5

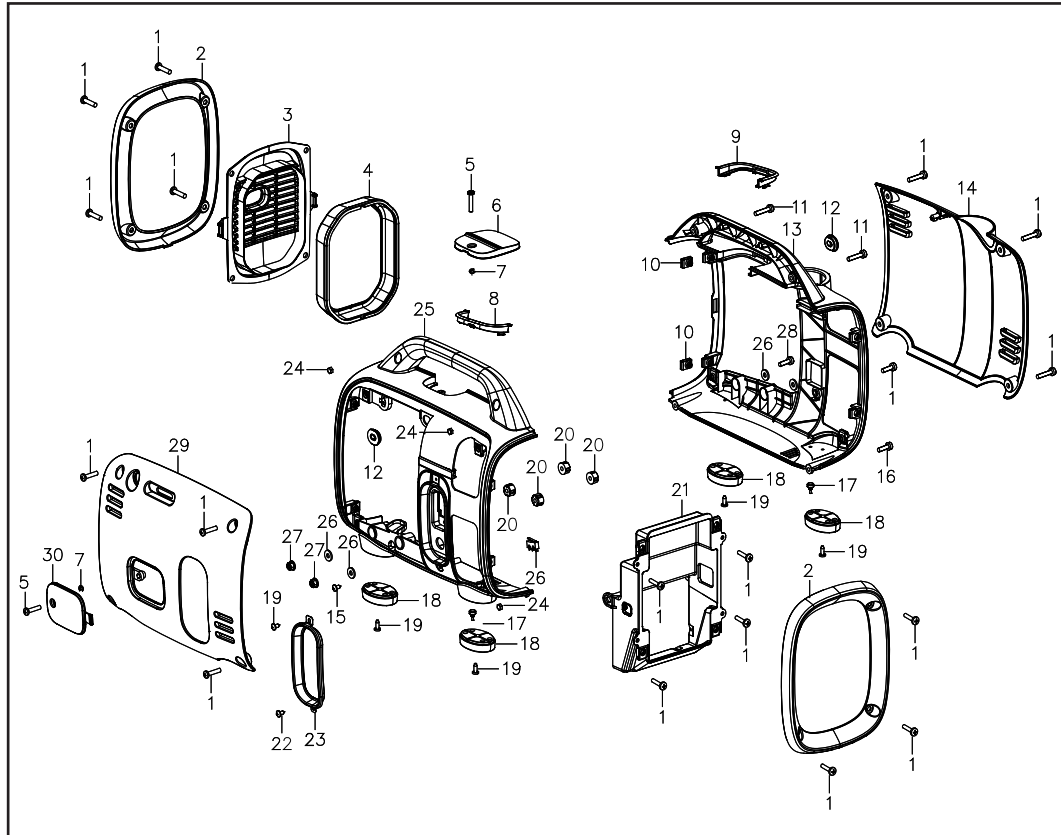


Nº	REF.	DESCRIPCIÓN (ES)	DESCRIPTION (EN)
1	SP-IC40i-I-01	CONECTOR	CONNECTOR
2	SP-IC40i-I-02	ESTATOR 0.8KW 420V 580HZ	STATOR 0.8KW 420V 580HZ
2-1	SP-IC40i-I-02-1	CASQUILLO	BUSHING
3	SP-IC40i-I-03	ARANDELA Ø5	WASHER Ø5
4	SP-IC40i-I-04	TORNILLO M5X35	HEXAGON FLANGE BOLTS M5x35
5	SP-IC40i-I-05	ROTOR	ROTOR
6	SP-IC40i-I-06	TUERCA M10X1.25	HEXAGON FLANGE NUT M10x1.25
7	SP-IC40i-I-07	TORNILLO M5X10	HEXAGON FLANGE BOLTS M5x10
8	SP-IC40i-I-08	SENSOR REVOLUCIONES	RPM SENSOR
9	SP-IC40i-I-09	BOBINADO ARRANCADOR	IGNITION COIL
10	SP-IC40i-I-10	TORNILLO ST4.8x25-F.H	BOLT ST4.8x25-F.H
11	SP-IC40i-I-11	JUNTA TAPON	IGNITION COIL CAP SEAL
12	SP-BUJIA-CMR6A	BUJIA TORCH CMR6A	SPARK PLUG CMR6A

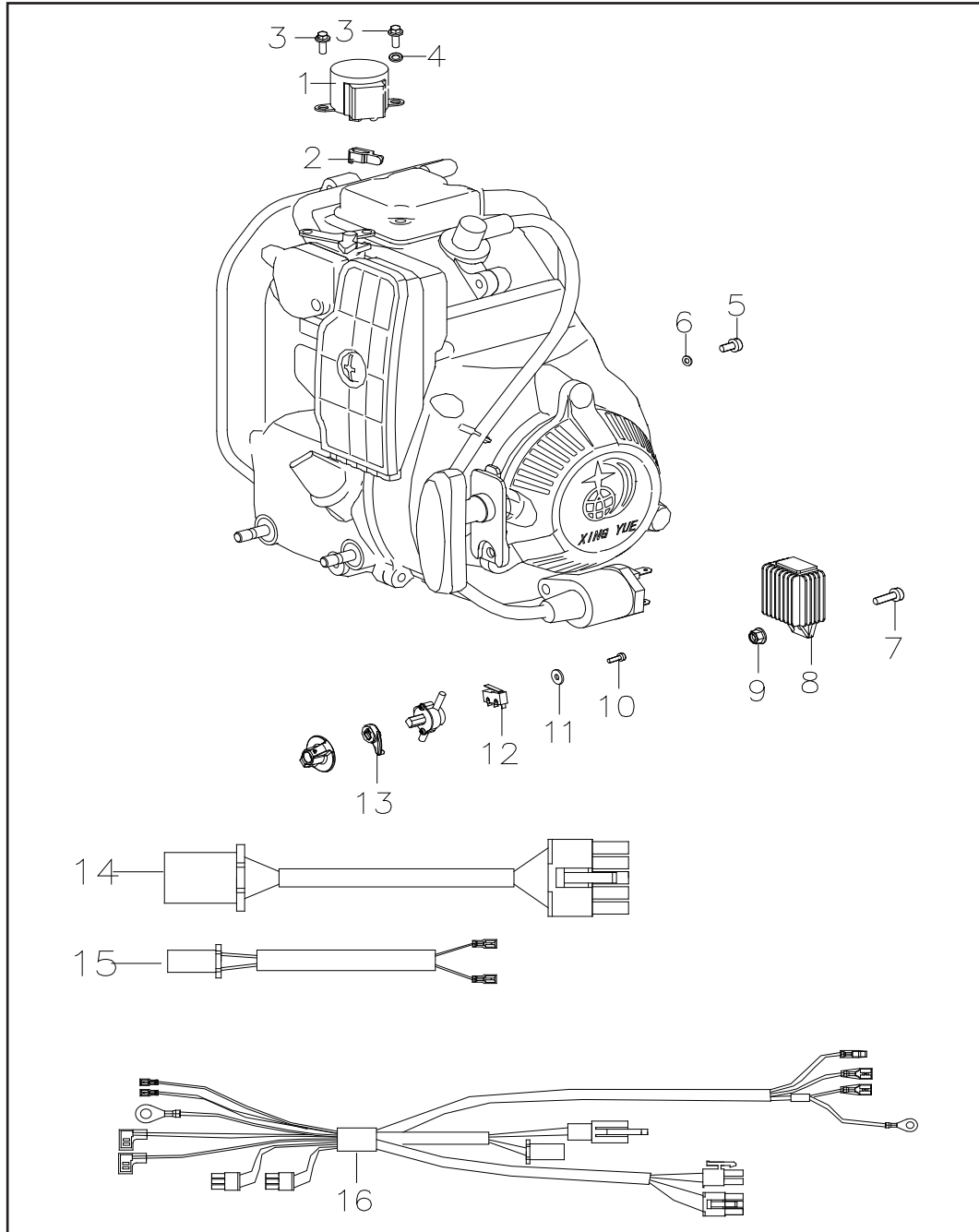


Nº	REF.	DESCRIPCIÓN (ES)	DESCRIPTION (EN)
1	SP-9i-J-01	TAPON COMBUSTIBLE	FUEL TANK CAP
2	SP-9i-J-02	FILTRO COMBUSTIBLE	FUEL TANK FILTER
3	SP-9i-J-03	GOMA BOCA DEPOSITO	FUEL TANK OUTLET RUBBER
4	SP-9i-J-04	DEPOSITO COMBUSTIBLE	FUEL TANK
5	SP-9i-J-05	GOMA SOPORTE DEPOSITO	FUEL TANK SUPPORT RUBBER
6	SP-9i-J-06	ACOPLE TUBERIA SALIDA	FUEL-HOLE PLUG
7	SP-9i-J-07	TUBERIA Ø2.5XØ5X120	FUEL HOSE Ø2.5×Ø5×120
8	SP-9i-J-08	TUBERIA Ø2.5XØ5X95	FUEL HOSE Ø2.5×Ø5×95
9	SP-9i-J-09	TUBERIA Ø2.5XØ5X80	FUEL HOSE Ø2.5×Ø5×80
10	SP-9i-J-10	CEBADOR	FUEL LUBRICATOR
11	SP-9i-J-11	BOMBA BACIO	NEGATIVE PRESSURE PUMP
12	SP-9i-J-12	TUBERIA Ø2.5XØ5X110	FUEL HOSE Ø2.5×Ø5×110
13	SP-9i-J-13	TORNILLO ST4.2×13-F	BOLT ST4.2×13-F
14	SP-9i-J-14	ABRAZADERA Ø7.5	STEEL WIRE CLAMP Ø7.5
15	SP-9i-J-15	TUBERIA Ø4.5XØ7.5X200	FUEL HOSE Ø4.5×Ø7.5×200
16	SP-9i-J-16	ABRAZADERA Ø9	STEEL WIRE CLAMP Ø9
17	SP-9i-J-17	FILTRO SALIDA COMBUSTIBLE	FUEL OUTLET FILTER
18	SP-9i-J-18	ABRAZADERA Ø11	STEEL WIRE CLAMP Ø11
19	SP-9i-J-19	TUBERIA	FUEL HOSE
20	SP-9i-J-20	TORNILLO ST4.8X16-F	TAP SCREW GB/T845 ST4.8×16-F
21	SP-9i-J-21	VALVULA COMBUSTIBLE	FUEL VALVE
22	SP-9i-J-23	PERILLA VALVULA	FUEL COCK KNOB
23	SP-9i-J-24	TORNILLO ST4.8X16	COMBINED SCREW GB/T845 ST4.8×16-F
24	SP-9i-J-25	TAPON PERILLA	OIL SWITCH KNOB COVER PLATE

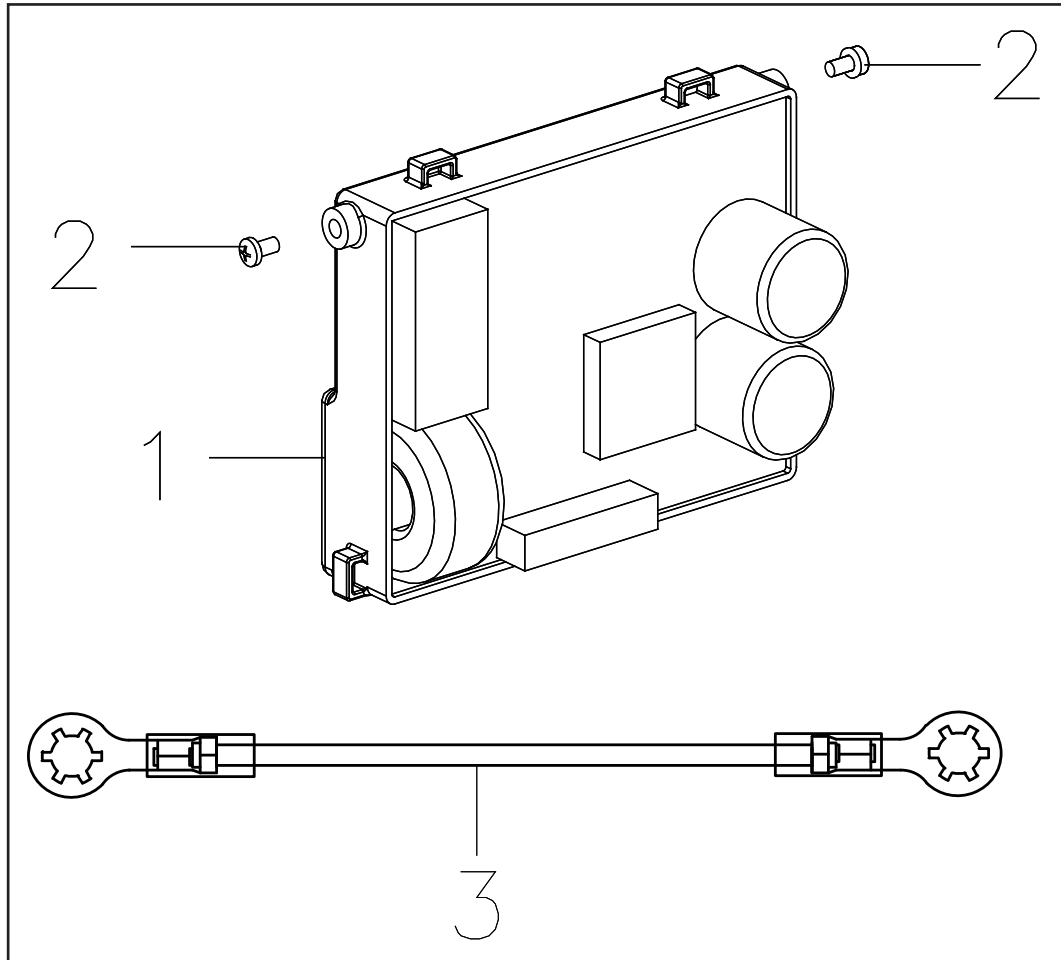




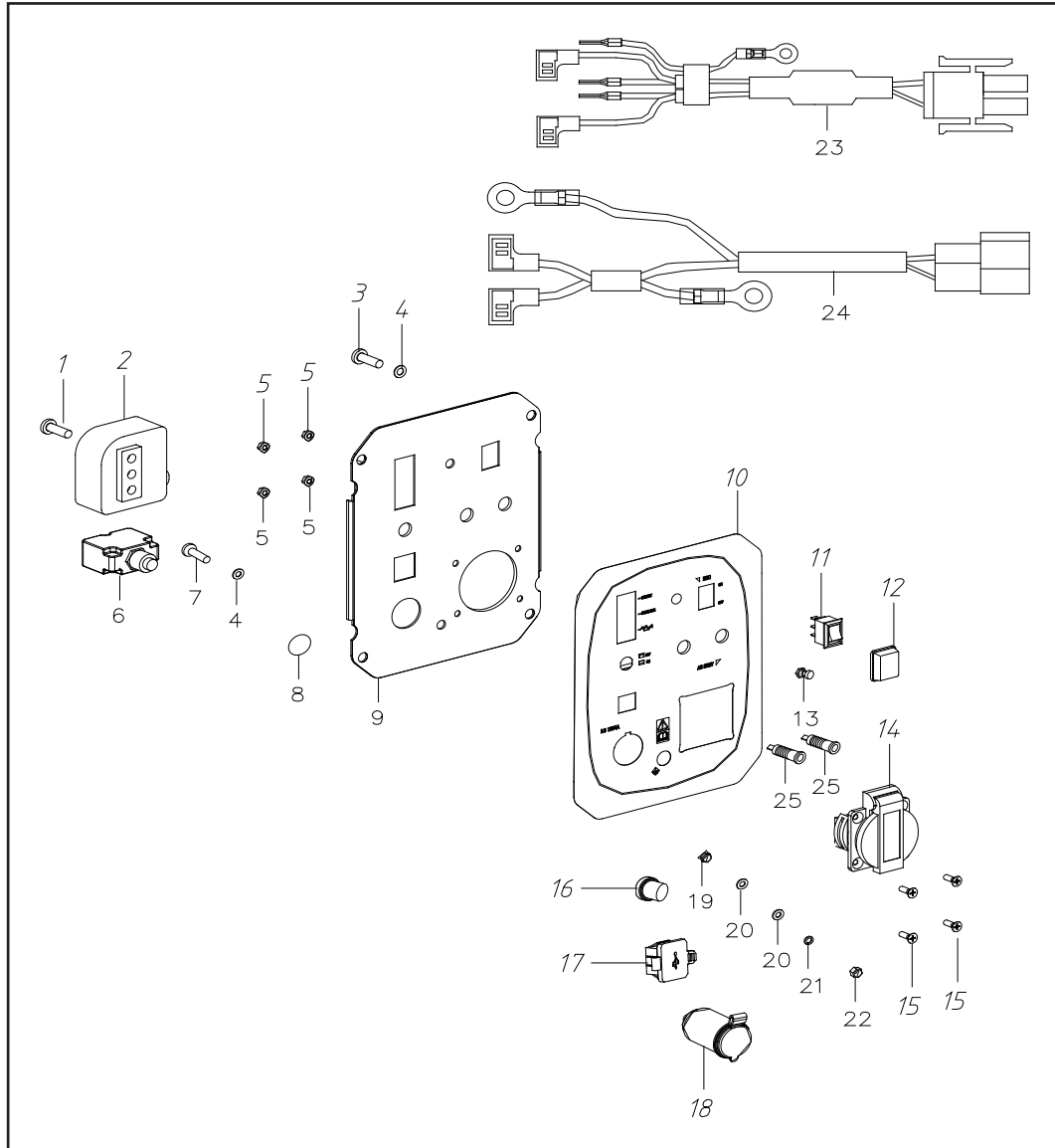
Nº	REF.	DESCRIPCIÓN (ES)	DESCRIPTION (EN)
1	SP-9i-K-01	TORNILLO M6X16	FLANGE BOLT GB/16674 M6x16
2	SP-9i-K-02	EMBELLECEDORES	FRONT AND BACK TRIMS
3	SP-9i-K-03	TAPA SILENCIADOR	MUFFLER COVER
4	SP-9i-K-04	JUNTA PLASTICO SILENCIADOR	MUFFLER COVER SEAL
5	SP-9i-K-05	TORNILLO M5X16	BOLT M5X16
6	SP-9i-K-06	TAPA COMBUSTIBLE	UPPER COVER
7	SP-9i-K-07	ARANDELA 8964	WASHER 8964
8	SP-9i-K-08	EMBELLECEDOR AGUJERO COMBUSTIBLE A	FUEL HOLE TRIM A
9	SP-9i-K-09	EMBELLECEDOR AGUJERO COMBUSTIBLE B	FUEL HOLE TRIM B
10	SP-9i-K-10	TUERCA M6	NUT M6
11	SP-9i-K-11	TORNILLO M5X16	FLANGE BOLT GB/5789 M5x16
12	SP-9i-K-12	PASACABLES GOMA	RUBBER GROMMET
13	SP-9i-K-13	CARCASA PRINCIPAL A	MAIN CASE A
14	SP-9i-K-14	PANEL LATERAL A	LATERAL TRIM A
15	SP-9i-K-15	TORNILLO ST4.8X13	BOLT ST4.8X13
16	SP-9i-K-16	TORNILLO M5X12	BOLT M5X12
17	SP-9i-K-17	TORNILLO ANTI-VIBRADOR INVERTER	ANTI-VIBRATION BOLT
18	SP-9i-K-18	ANTI-VIBRADOR INVERTER	ANTI-VIBRATOR
19	SP-9i-K-19	TORNILLO ST4.8X9.5	BOLT ST4.8X9.5
20	SP-9i-K-22	GOMA ANTI-VIBRACION Ø6XØ16X10	RUBBER PAD Ø6xØ16x10
21	SP-9i-K-23	CAJA PANEL CONTROL	CONTROL PANEL BOX
22	SP-9i-K-38	TORNILLO ST4,2X9,5-F	SCREW ST4.2x9.5-F
23	SP-9i-K-33	EMBELLECEDOR BORDE	EDGE PROTECTION
24	SP-9i-K-27	TUERCA M5	NUT M5
25	SP-9i-K-28	CARCASA PRINCIPAL B	MAIN CASE B
26	SP-9i-K-29	ARANDELA GOMA Ø6.5XØ16X2	RUBBER WASHER Ø6.5xØ16x2
27	SP-9i-K-30	TUERCA M6	NUT M6
28	SP-9i-K-39	TORNILLO M6X25	HEXAGON FLANGE BOLTS M6x25
29	SP-9i-K-31	PANEL LATERAL B	LATERAL PANEL B
30	SP-9i-K-32	PUERTA INSPECCION ACEITE	OIL INSPECTION DOOR



Nº	REF.	DESCRIPCIÓN (ES)	DESCRIPTION (EN)
1	SP-9i-L-01	SERVOMOTOR	SERVOMOTOR
2	SP-9i-L-02	BRAZO REGULADOR	DRIVE ARM
3	SP-9i-L-03	TORNILLO M4X6	SCREW M4x6
4	SP-9i-L-04	ARANDELA Ø4	WASHER Ø4
5	SP-9i-K-34	TORNILLO M5X8	BOLT M5X8
6	SP-9i-K-35	ARANDELA Ø5	WASHER Ø5
7	SP-9i-K-01	TORNILLO M6X16	FLANGE BOLT GB/16674 M6x16
8	SP-9i-K-20	RECTIFICADOR WYQ14-5-5-1	RECTIFIER WYQ14-5-5-1
9	SP-9i-K-21	TUERCA M6	NUT M6
10	SP-9i-K-24	TORNILLO ST4.8X13	BOLT ST4.8X13
11	SP-9i-K-25	ARANDELA Ø4	WASHER Ø4
12	SP-9i-K-26	INTERRUPTOR	SWITCH
13	SP-9i-J-22	CONMUTADOR	COMMUTATOR
14	SP-9i-L-05	CABLE EXTENSION SERVOMOTOR	SERVOMOTOR EXTENSION WIRE
15	SP-9i-K-36	CABLEADO APAGADO	ENGINE SHUT-DOWN CABLE
16	SP-9i-K-37	CABLEADO	WIRING



Nº	REF.	DESCRIPCIÓN (ES)	DESCRIPTION (EN)
1	SP-9i-M-01	INVERTER 0.7KW 230V 50HZ	INVERTER 0.7KW 230V-50HZ
2	SP-9i-M-02	TORNILLO M5X10	BOLT M5X10
3	SP-9i-M-03	CABLE TOMA DE TIERRA	EARTH WIRE



Nº	REF.	DESCRIPCIÓN (ES)	DESCRIPTION (EN)
1	SP-9i-N-01	TORNILLO M5X16	BOLT M5X16
2	SP-9i-N-02	MODULO CONTROL ENCENDIDO	IGNITION CONTROL MODULE
3	SP-9i-N-03	TORNILLO M5X8	BOLT M5X8
4	SP-9i-N-04	ARANDELA Ø5	WASHER Ø5
5	SP-9i-N-05	TUERCA M4	NUT M4
6	SP-9i-N-06	PROTECTOR 4.5A	OVERLOAD PROTECTOR 4.5A
7	SP-9i-N-07	TORNILLO M5X16	BOLT M5X16
8	SP-9i-N-08	TUERCA TOMA TIERRA	GROUND NUT
9	SP-9i-N-09	PLETINA PANEL CONTROL	CONTROL PANEL PLATE
10	SP-9i-N-10	PEGATINA PANEL	CONTROL PANEL STICKER
11	SP-9i-N-11	INTERRUPTOR	SWITCH
12	SP-9i-N-12	TAPA PROTECCION INTERRUPTOR	SWITCH PROTECTION CAP
13	SP-9i-N-13	BOTON RESET	RESET BUTTON
14	SP-9i-N-14	ENCHUFE EUROPEO	EUROPEAN SOCKET
15	SP-9i-N-15	TORNILLO M4X12	BOLT M4X12
16	SP-9i-N-16	TAPA PROTECCION PROTECTOR 4.5A	WATER-PROOF CAP OF PROTECTOR
17	SP-9i-N-17	TOMA DOBLE USB 5V 1A/2,1A	5V 1A/2.1A DOUBLE USB SOCKET
18	SP-9i-N-18	TOMA 12V	OUTLET 12V
19	SP-9i-N-19	TUERCA M5	NUT M5
20	SP-9i-N-20	ARANDELA Ø5	WASHER Ø5
21	SP-9i-N-21	GLOVER Ø5	GROWER Ø5
22	SP-9i-N-22	TUERCA M5	NUT M5
23	SP-9i-N-23	CABLEADO CORRIENTE AC	AC SOCKET WIRE BUSH
24	SP-9i-N-24	CABLEADO CORRIENTE DC	DC SOCKET WIRE BUSH
25	SP-9i-N-25	TOMAS CORRIENTE PARALELO	PARALLEL PORTS
26	SP-9i-N-26	CONJ PANEL CONTROL	CONTROL PANEL ASSY